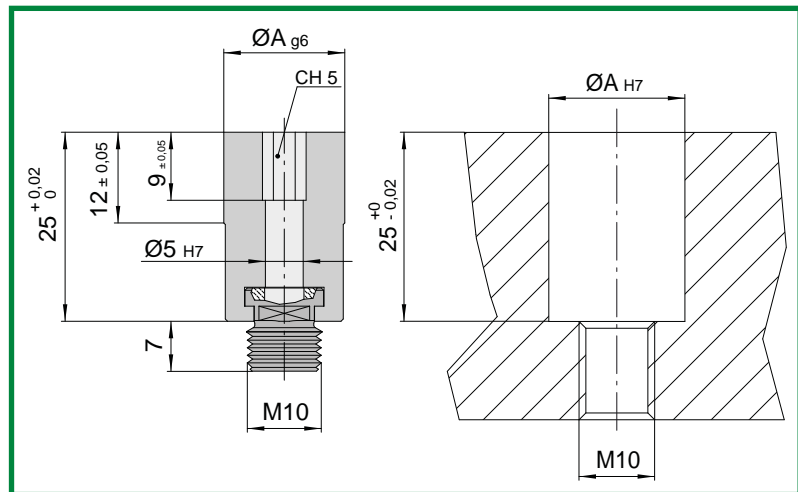


CODE: **SC-..**



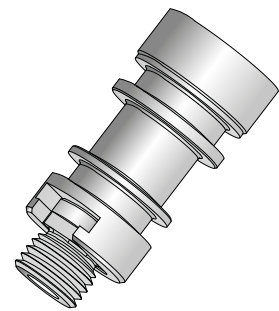
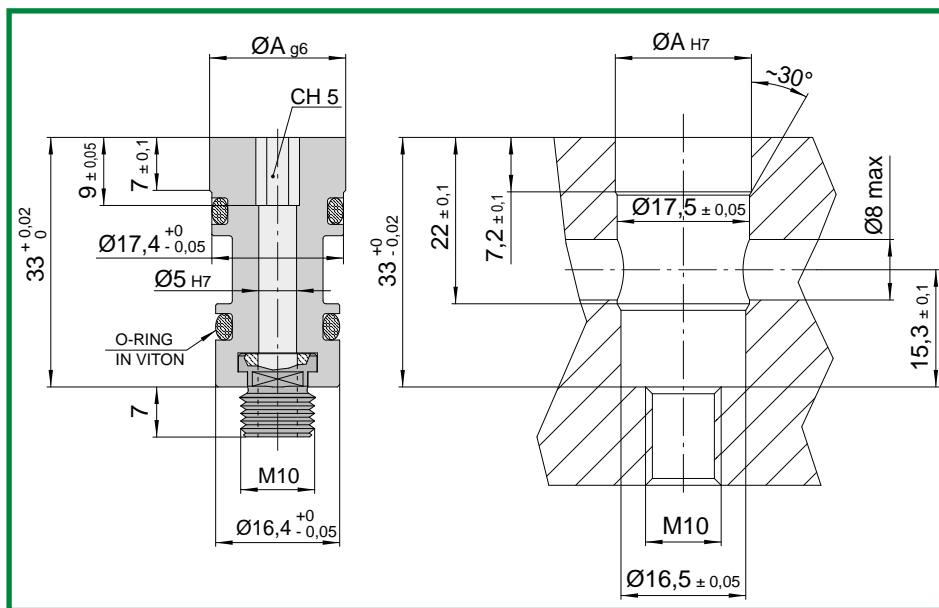
CODE	A
SC-14	14
SC16	16

Mat.: AISI 420B  
Hardness: 50-52 HRC

## CHARACTERISTICS

- 1) POSSIBILITY OF FRONT ASSEMBLY AND DISASSEMBLY;
- 2) STAINLESSNESS;
- 3) WITH EJECTOR BORE DIAMETER Ø5 MM.

# RUNNER SELECTOR WITH COOLING SYSTEM



CODE: **SCR-18**

CODE	A
SCR-18	18

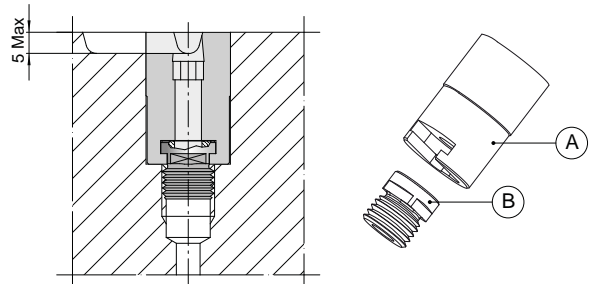
Mat.: AISI 420B  
Hardness: 50÷52 HRC

## CHARACTERISTICS

- 1) POSSIBILITY OF FRONT ASSEMBLY AND DISASSEMBLY;
- 2) POSSIBILITY TO COOL THE INJECTION AREA;
- 3) STAINLESSNESS;
- 4) WITH EJECTOR BORE DIAMETER Ø5 MM.

**APPLICATION PROCESS**

1. Insert the runner selector into the seat and tighten it all the way down.
2. Machine the runner system.
3. Blocking of runner is done by unscrewing the Runner selector, remove the element B and insert it rotated with the required angle ( $90^{\circ}$  -  $180^{\circ}$  -  $270^{\circ}$ ).



**APPLICATION EXAMPLES**

